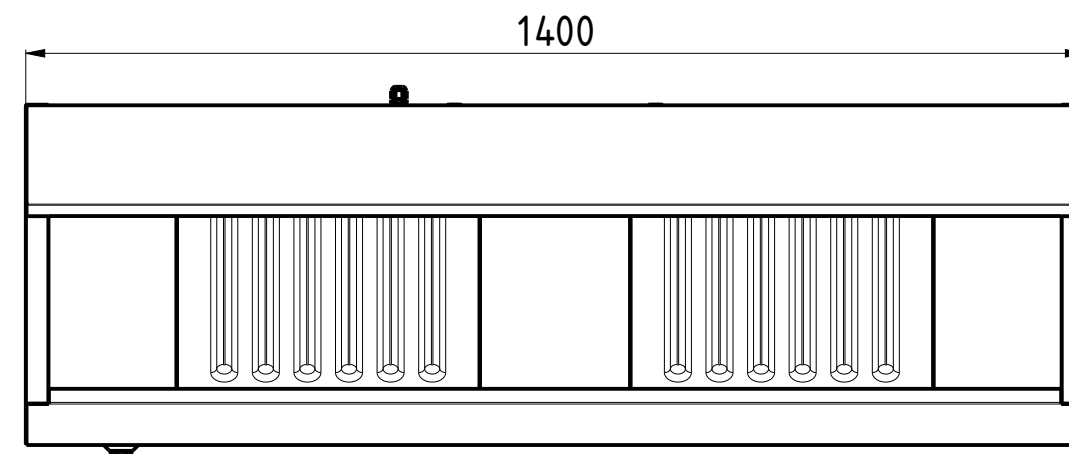
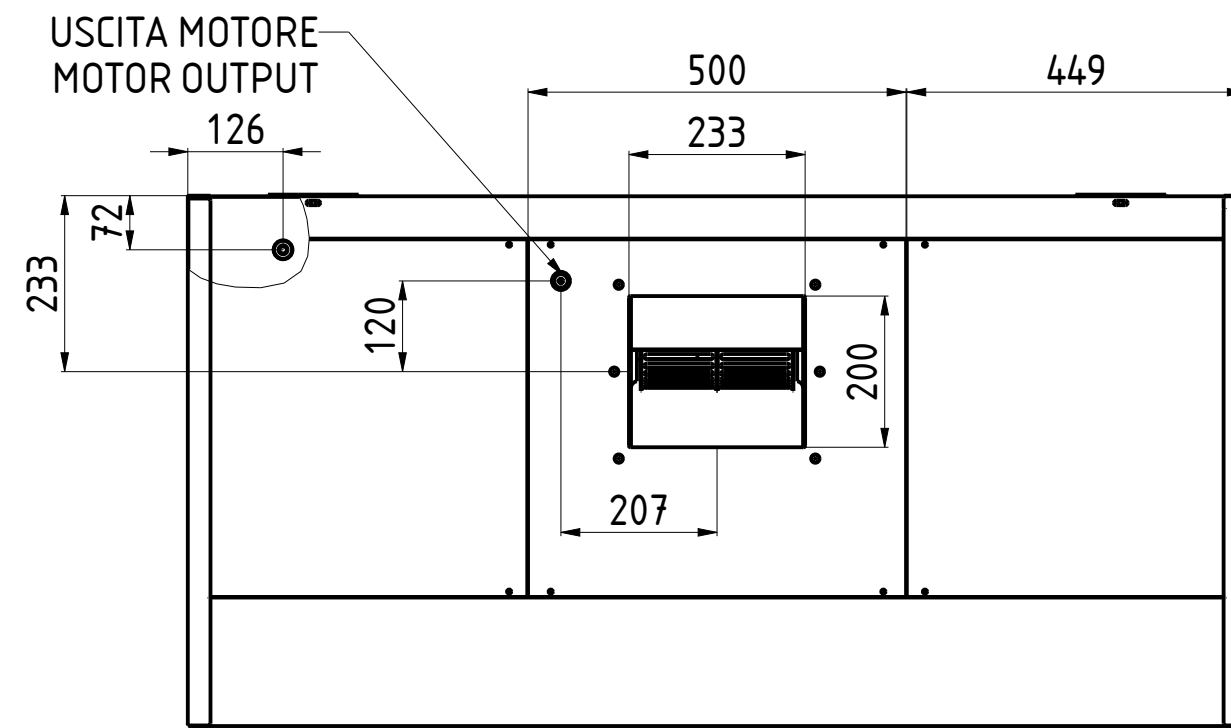


# CHSN07L140F

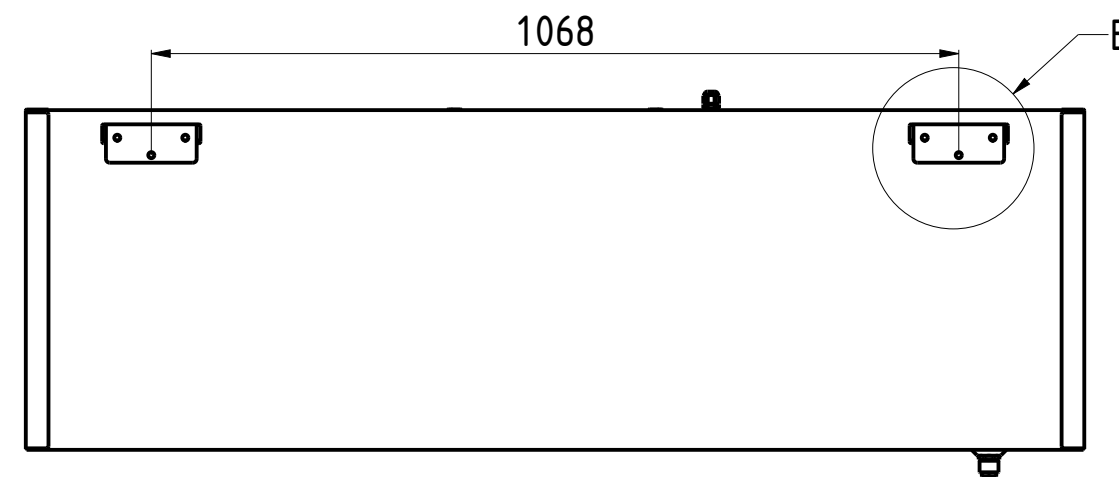


FRONT VIEW 1:10  
SCARICO DRAIN

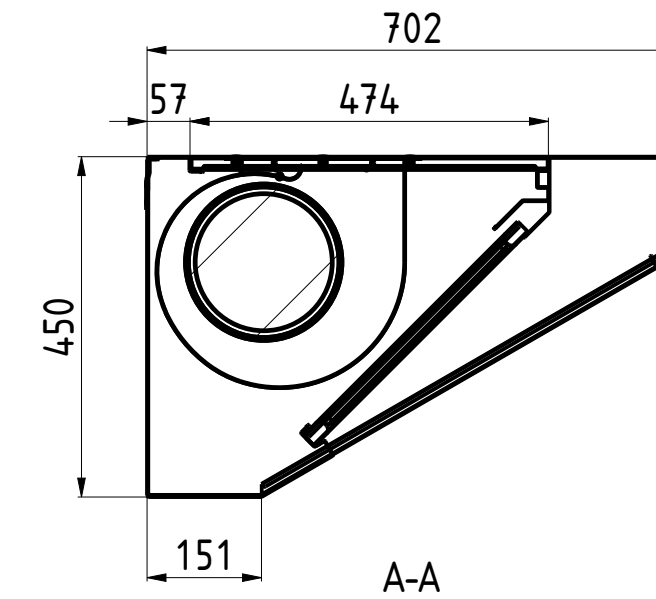


USCITA MOTORE MOTOR OUTPUT

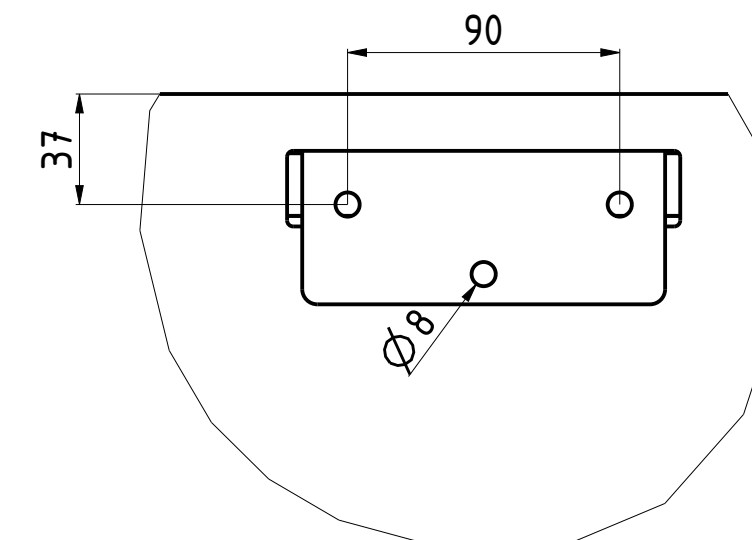
B-B



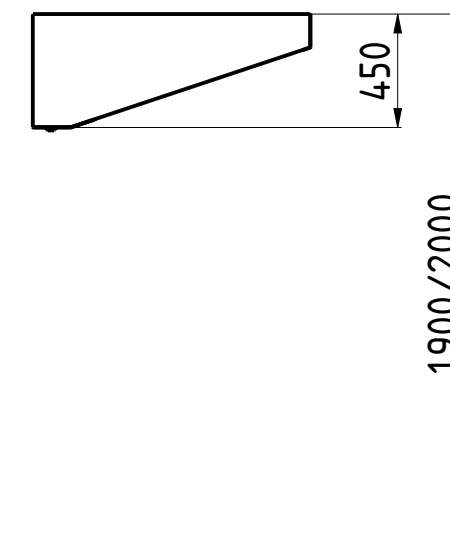
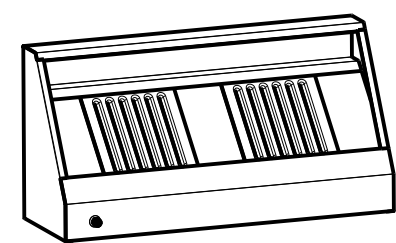
BACK VIEW 1:10



A-A



B(2:5)



NR. LUCI NR. LIGHTS	PORTATA FLOW RATE	HST mmH <sub>2</sub> O	WATT	SDR	PESO (Kg) WEIGHT (Kg)
3	1230	23	147	7/7	58

DATA DATE	MODIF. N. MODIF. NO.	DESCRIZIONE MODIFICHE MODIFICATION DESCRIPTION	DISEGNATO DRAWN BY	APPROVATO APPROVED
MODELLO CAPPINA SNACK CON MOTORE 7/14 MODEL SNACK HOOD WITH MOTOR 7/14			SCALA SCALE	-
PARTICOLARE SCHEDA TECNICA DETAIL DATA SHEET			DATA DATE	-
MATERIALE MATERIAL AISI 304 - AISI 430	SPES. THICK. -		SHEET	2 OF 3
FINITURA FINISH	PEZZI N. PIECES NO.		ULTIMA EMISS. LAST EDITION	
TRATTAMENTO TREATMENT	COLORE COLOUR			
		mm		

ELABORATO CON SISTEMA CAD DESIGNED BY CAD/STEM  
 QUOTA PRIMARIA PRIMARY DIMENSION XX  
 ANGOLI Angles ±0.30°  
 TOLLERANZA UNLESS OTHERWISE STATED  
 QUOTE SENZA TOLLERANZA  
 >500 ±0.75  
 400-500 ±0.65  
 315-400 ±0.60  
 250-315 ±0.55  
 180-250 ±0.50  
 120-180 ±0.45  
 80-120 ±0.40  
 50-80 ±0.35  
 30-50 ±0.30  
 18-30 ±0.25  
 10-18 ±0.20  
 5-10 ±0.15  
 0-5 ±0.10  
 LUNGH. E DIAM. LENGTH AND DIAM.